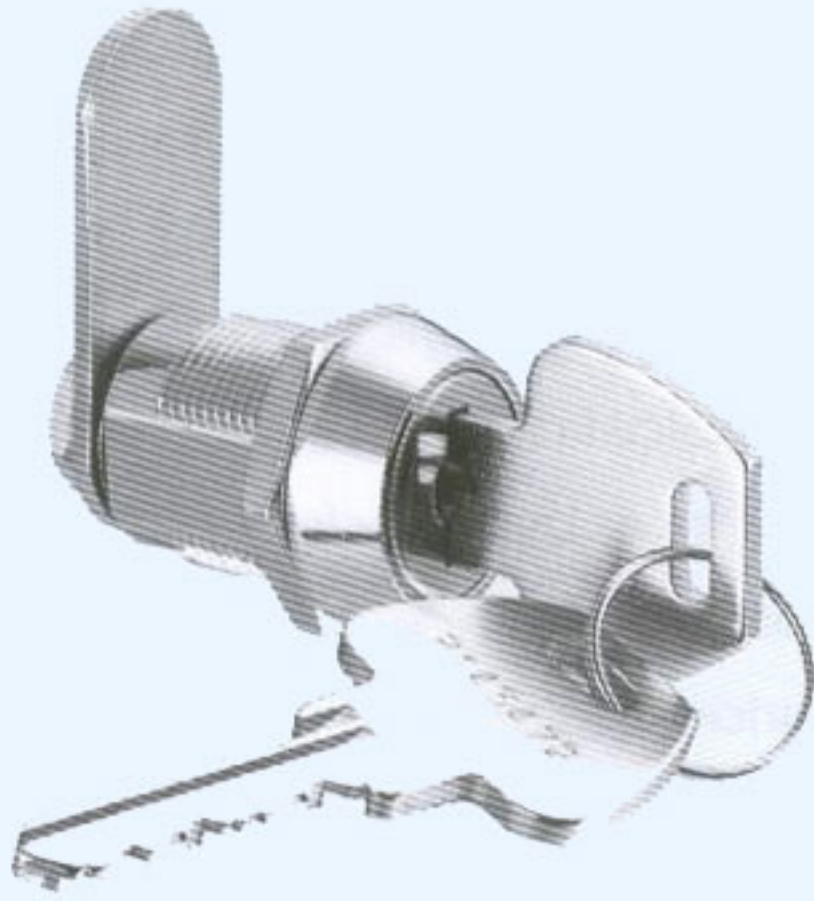


## C905 C925

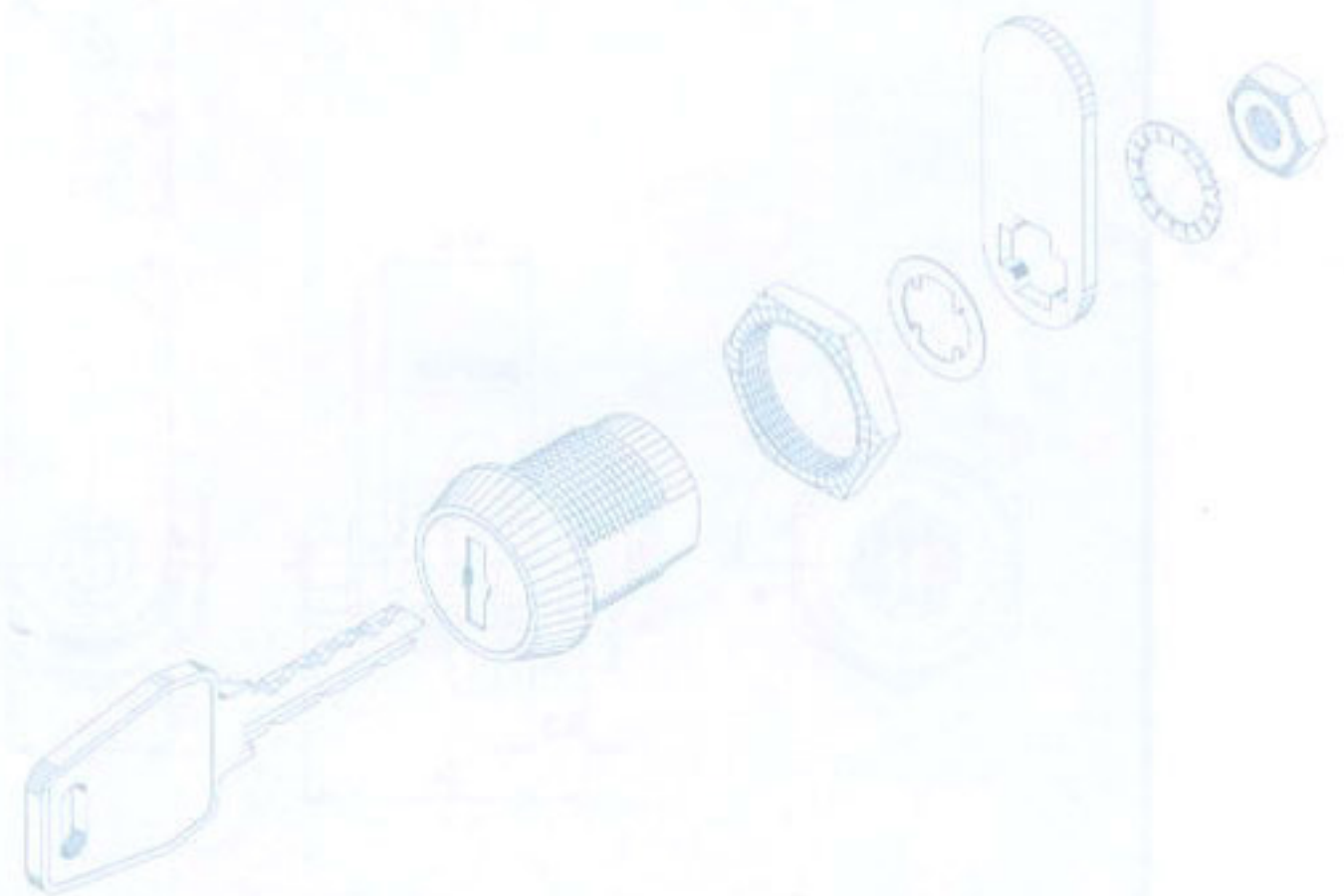
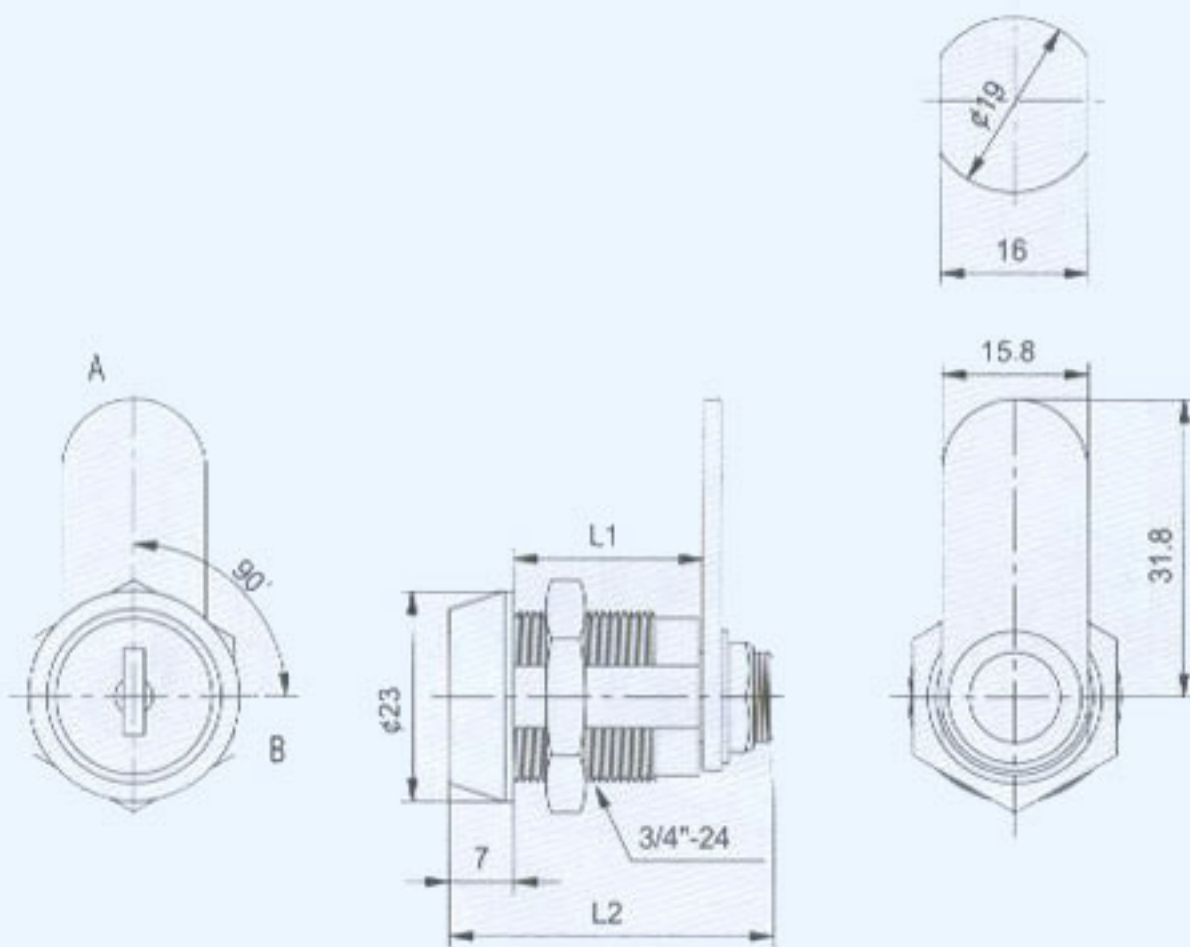


### DESCRIPTION

- . Zinc alloy die cast housing and cylinder.
- . Bright chrome plated standard
- . 10 disc tumbler mechanism.
- . Reversible double-bitted brass keys, nickel plated.
- . C905 key withdrawals in one position only.
- . C925 key may be withdrawn in one or two positions.
- . Various cam configurations and rotations available.
- . Cam is affixed by screw.
- . Hex nut or speed clip mounted.
- . All keyed alike or one combination per 100pcs standard.
- . 10000 combinations available.
- . Master keying is available.

Unit: mm

Recommended hole size



■ -INDICATES KEY-PULL

● -INDICATES NO KEY-PULL



Fig.1



Fig.2

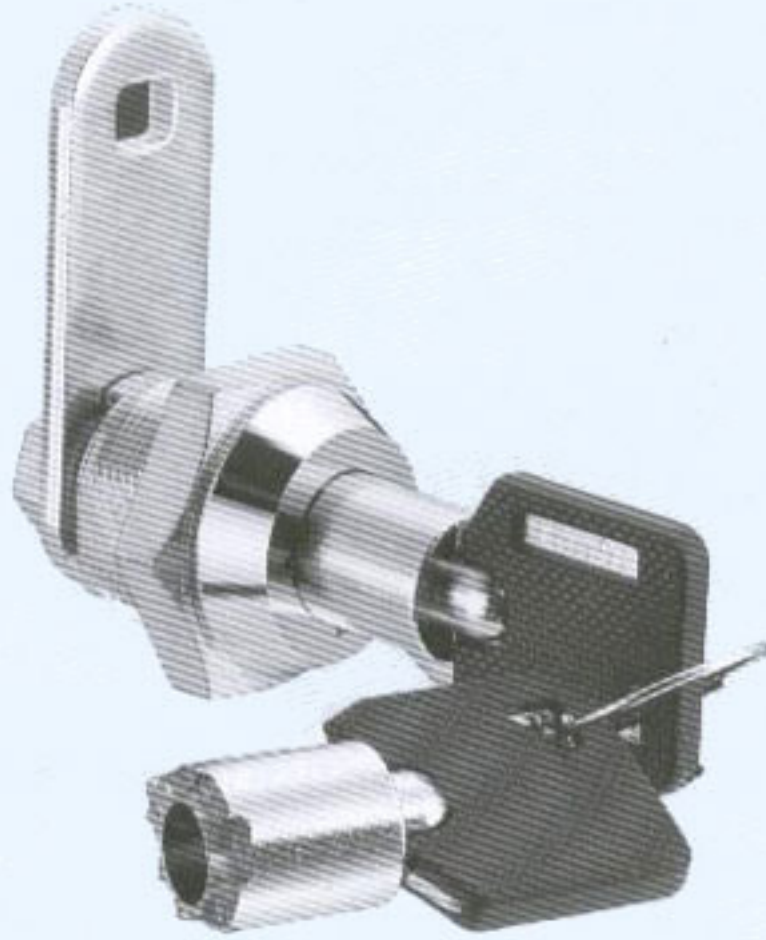
NUT SCREW

Lock Number	L1	L2	L2
C905	20.5	35	
C925	49		43.4

Fig No	Lock Number	Positions	Key Pulls	Turn
1	C905	2	1	90°
2	C925-1	2	1	90°
2	C925-2	2	2	90°



## C910

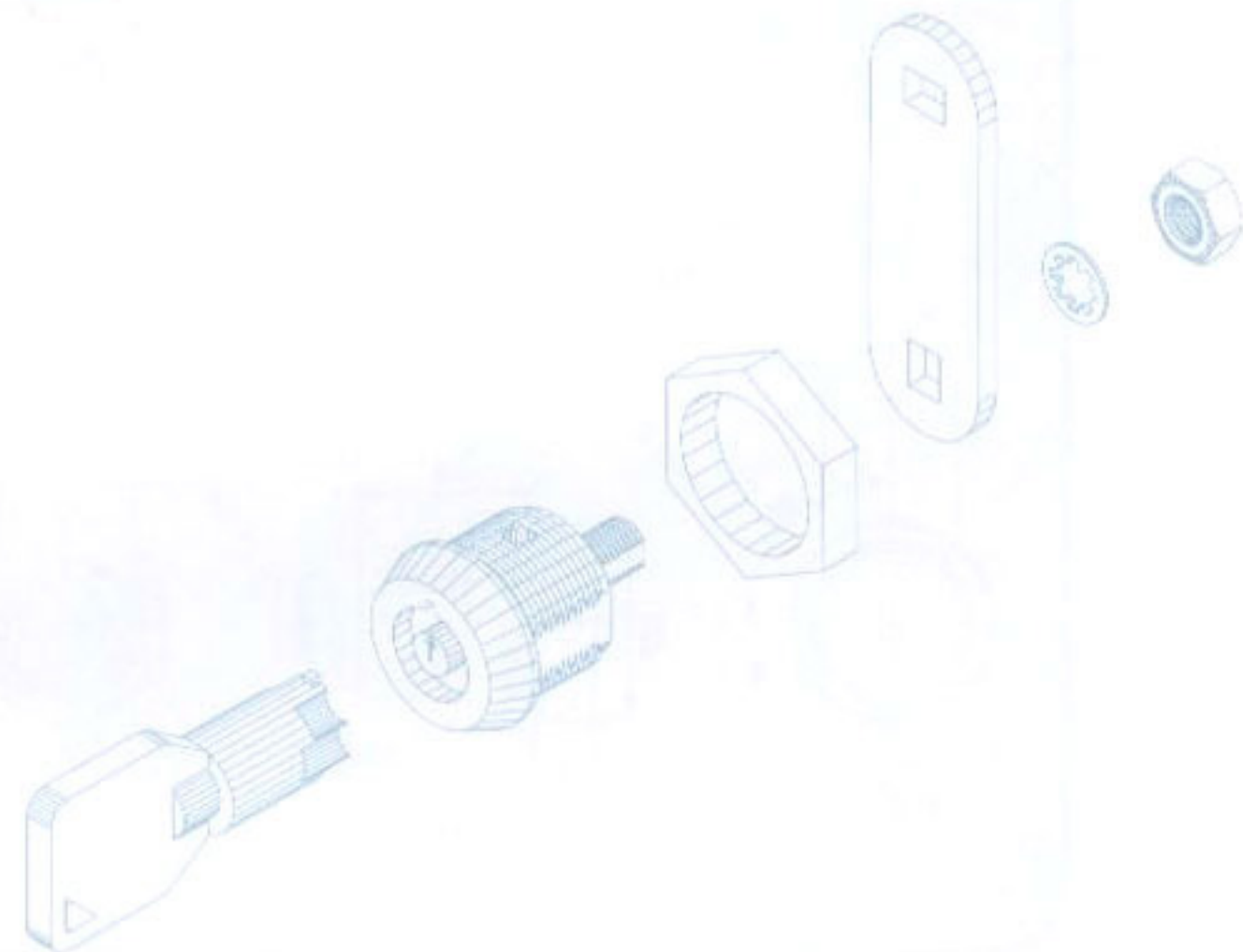
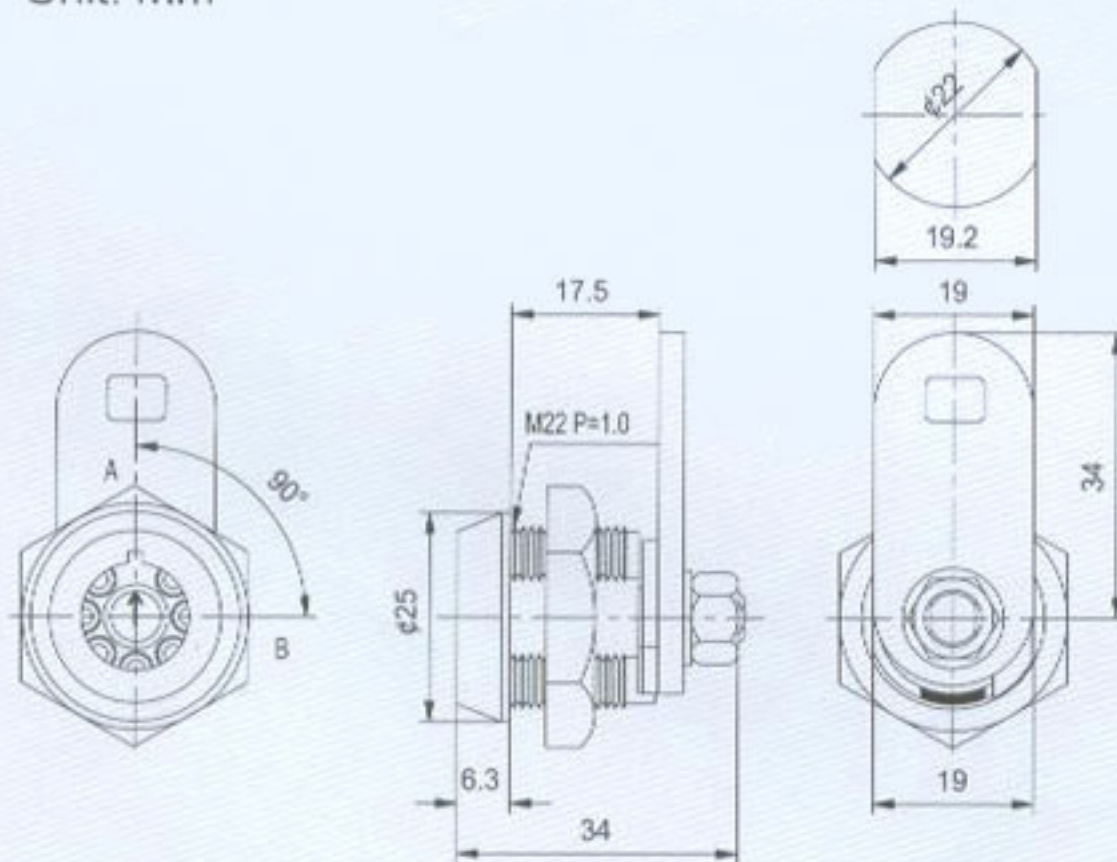


### DESCRIPTION

- . Brass housing and cylinder.
- . Bright chrome plated standard.
- . High security 14 pin tumbler mechanism.
- . Steel made tubular keys, nickel plated, with plastic cover.
- . Key may be withdrawn in one or both positions.
- . Various cam configurations and rotations available.
- . Cam is affixed by nut.
- . Hex nut mounted.
- . Key combinations upon requested.
- . 10000 combinations available.

Unit: mm

Recommended hole size



■ -INDICATES KEY-PULL

● -INDICATES NO KEY-PULL



Fig.1

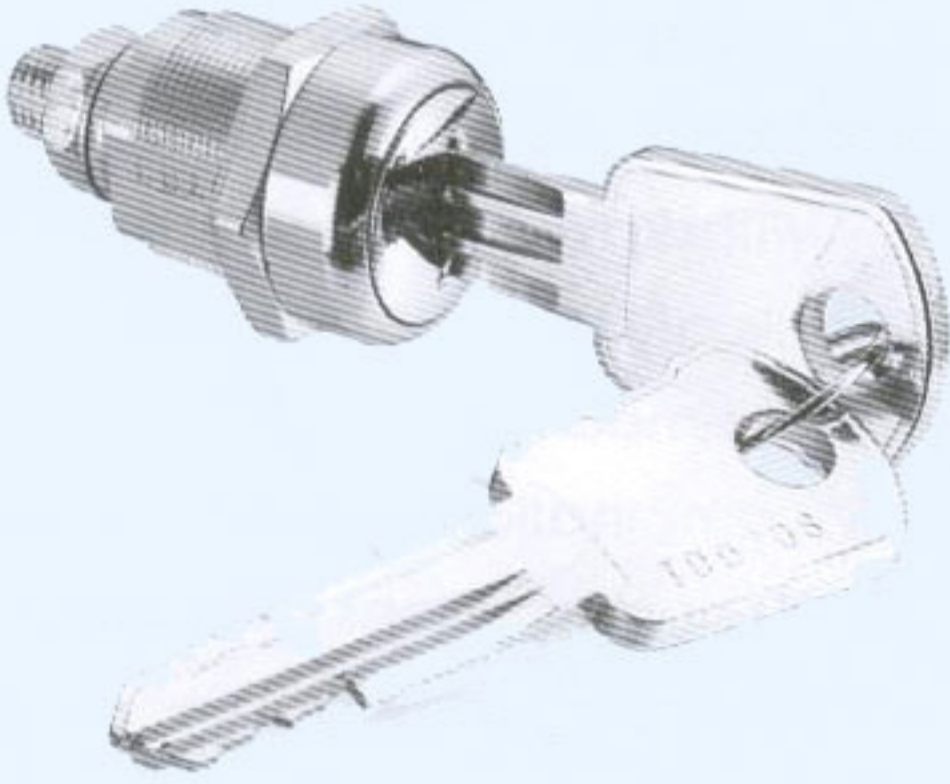


Fig.2

Fig No	Lock Number	Positions	Key Pulls	Turn
1	C910-1	2	1	90°
2	C910-2	2	2	90°



## C920

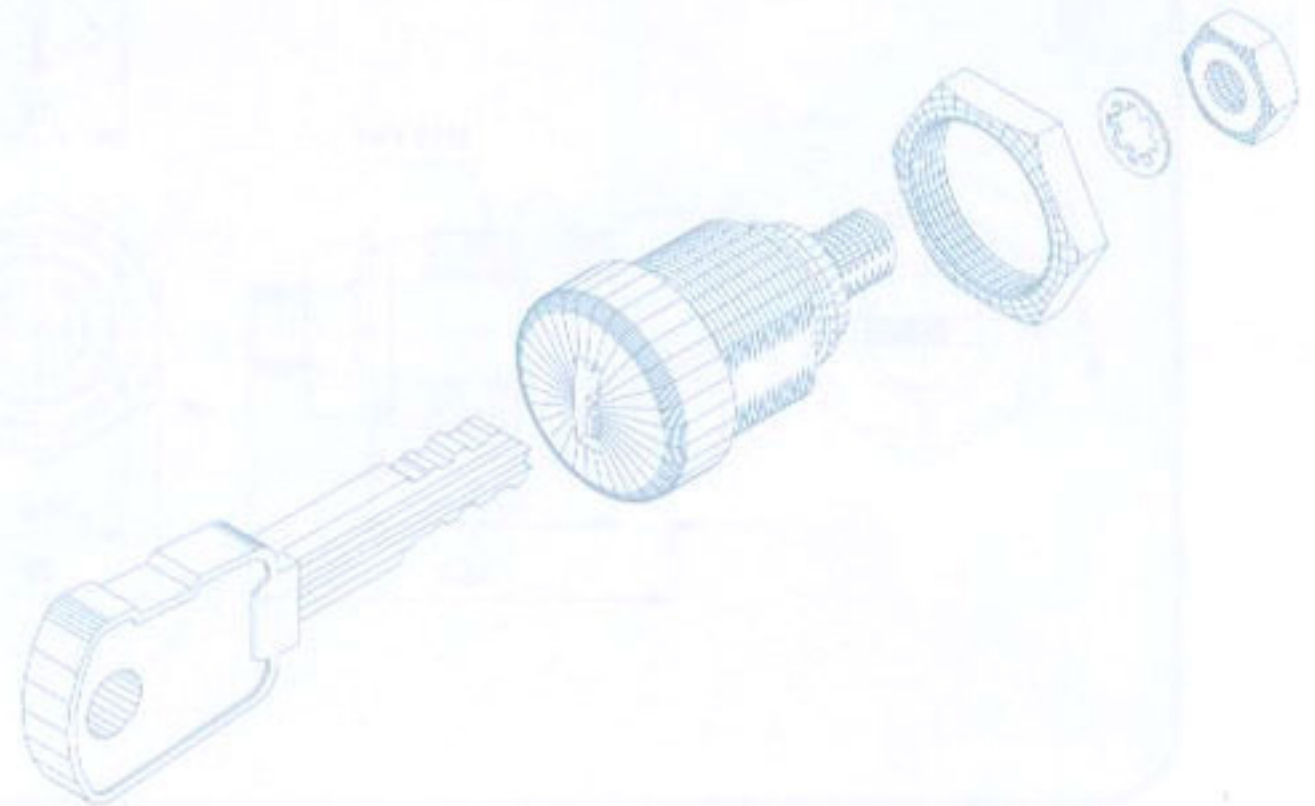
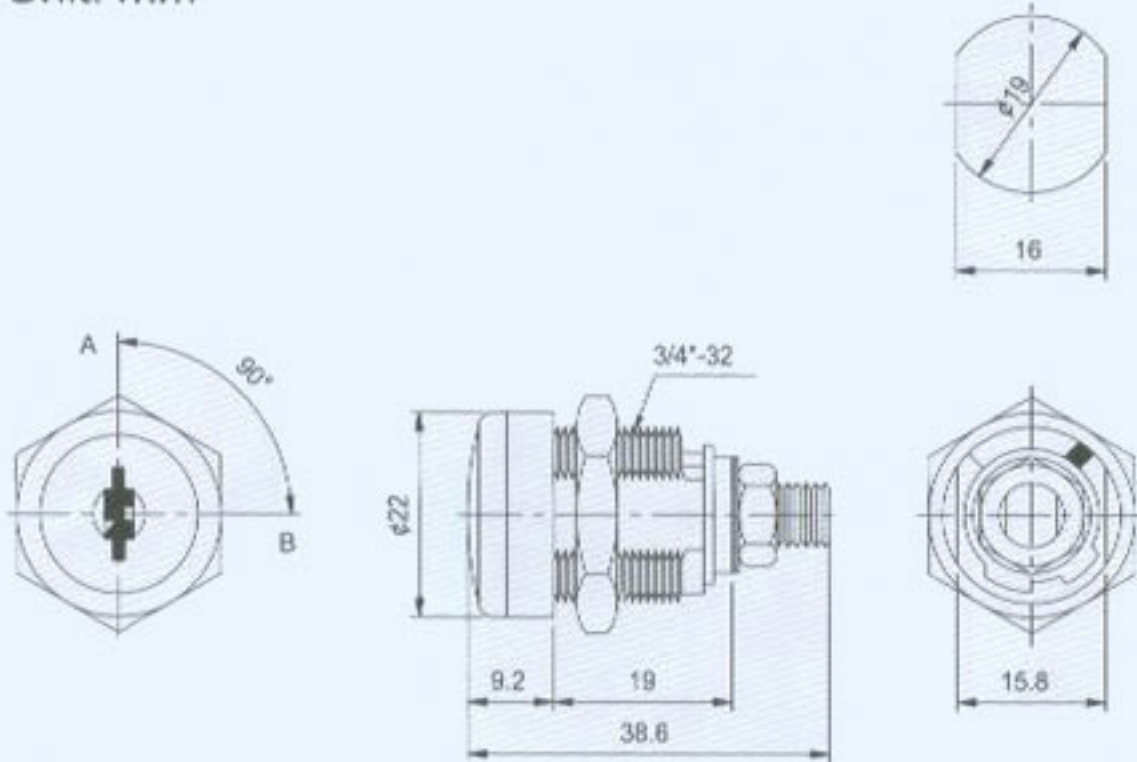


### DESCRIPTION

- . Zinc alloy die cast housing and cylinder.
- . Bright chrome plated standard
- . 14 tumbler, triple bitting mechanism.
- . Brass keys, nickel plated.
- . Key withdrawals in one position only.
- . Hex nut mounted.
- . All keyed alike or 25 combinations standard.
- . 5000 combinations available.

Unit: mm

Recommended hole size



■ -INDICATES KEY-PULL

● -INDICATES NO KEY-PULL

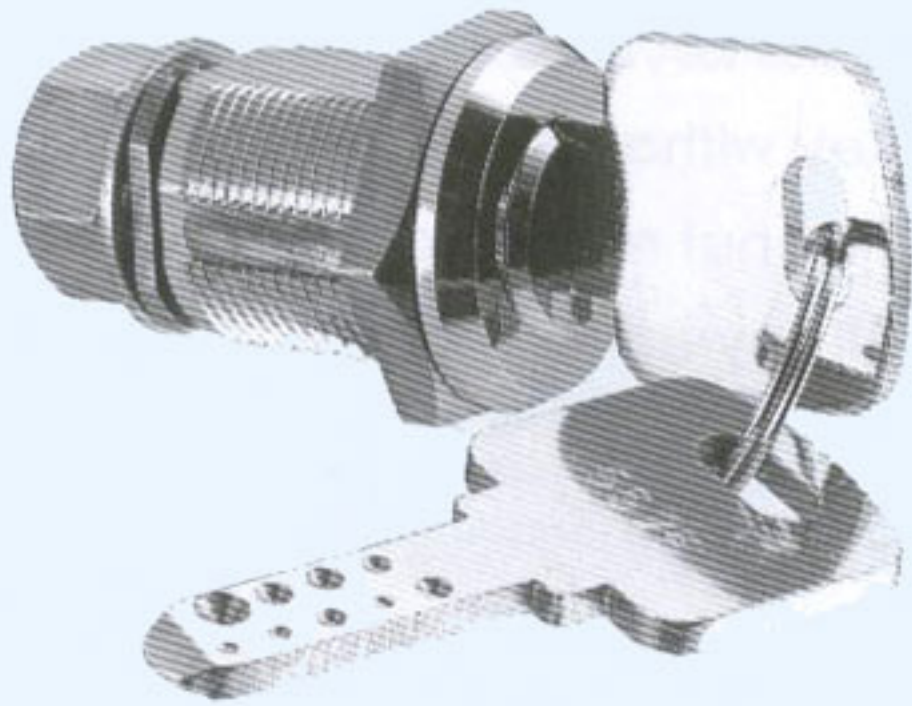


Fig.1

Fig No	Lock Number	Positions	Key Pulls	Turn
1	C920	2	1	90°



## C930

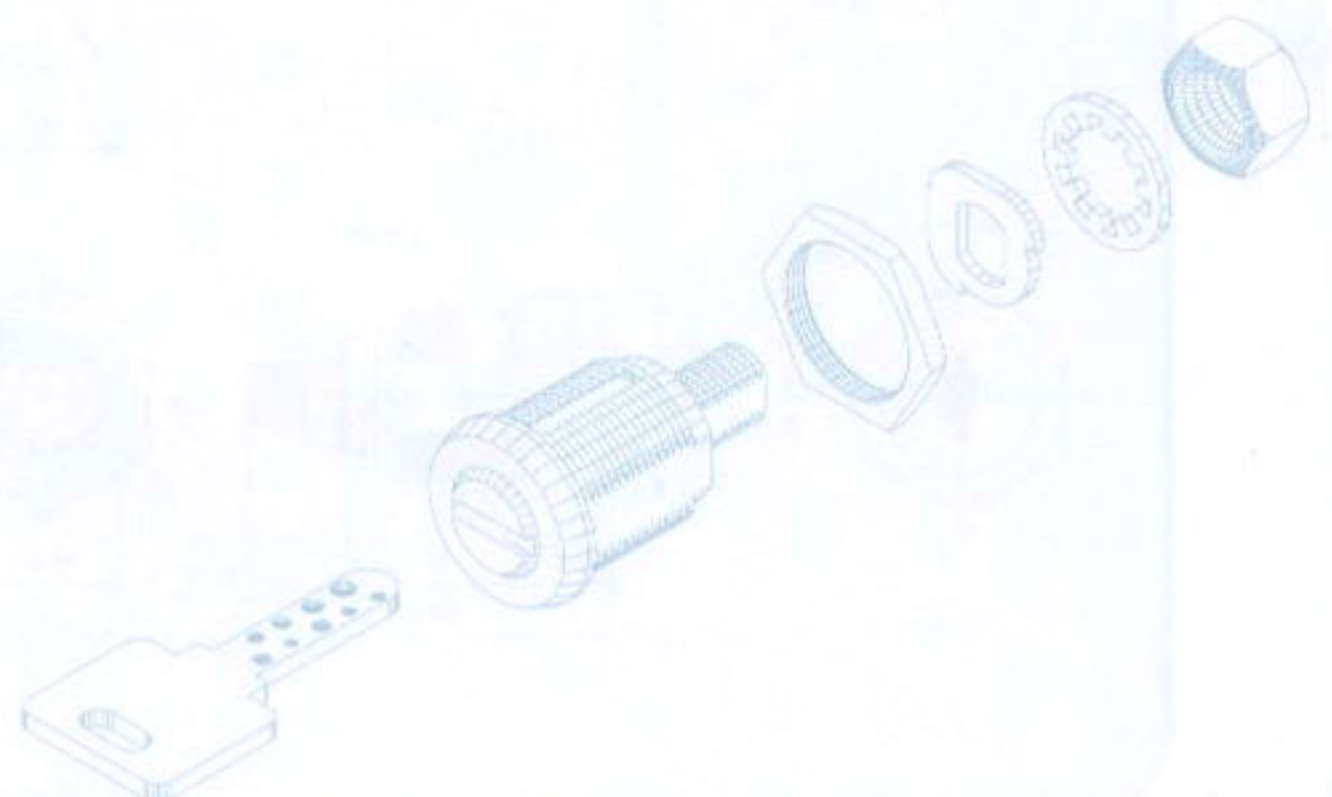
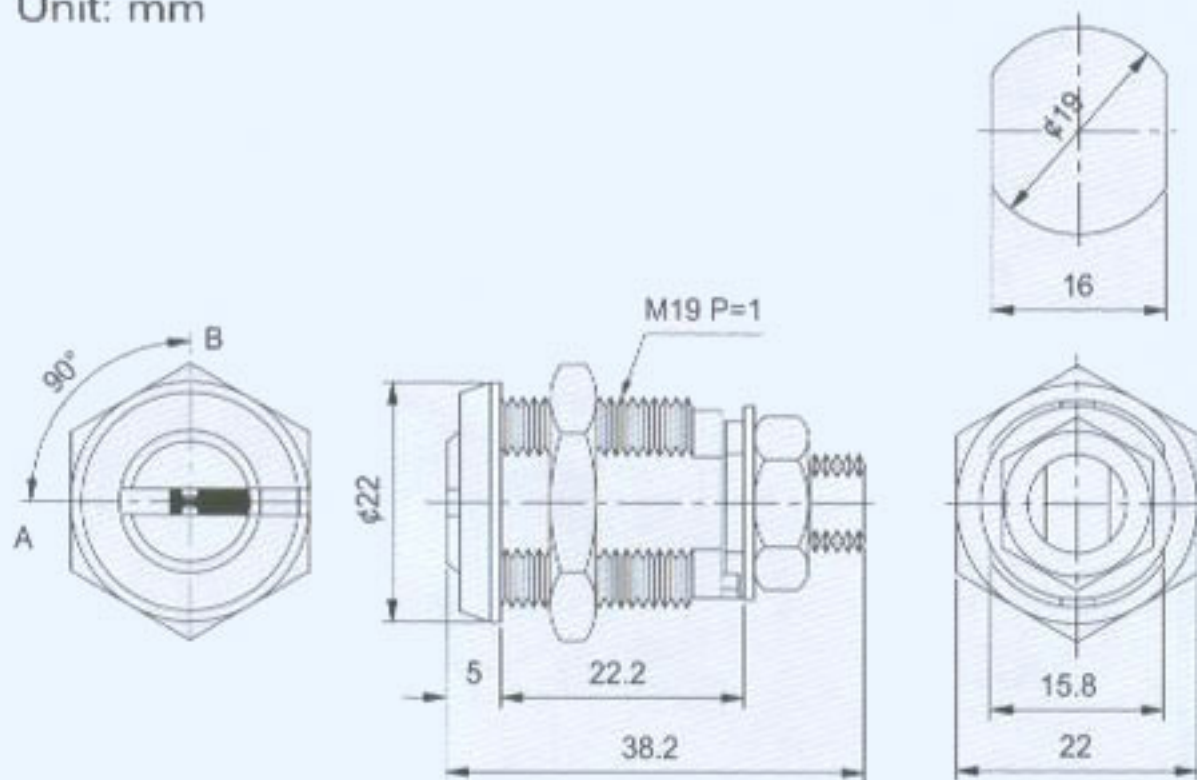


### DESCRIPTION

- . Brass housing and cylinder.
- . Bright chrome plated standard.
- . 9 pin tumbler mechanism.
- . Brass keys, nickel plated
- . Key withdrawals in one position only.
- . Cam is affixed by nut.
- . Hex nut mounted.
- . Key combinations upon requested.
- . 10000 combinations available.
- . Master keying is available.

Unit: mm

Recommended hole size



■ -INDICATES KEY-PULL

● -INDICATES NO KEY-PULL

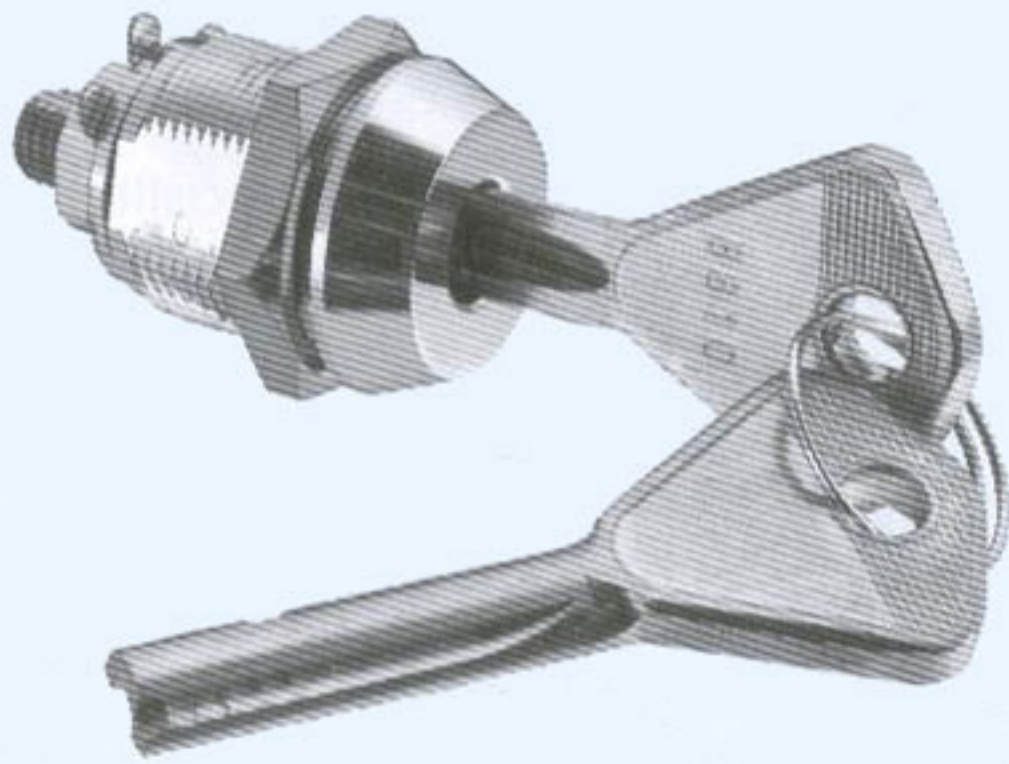


Fig.1

Fig No	Lock Number	Positions	Key Pulls	Turn
1	C930	2	1	90°



## C940

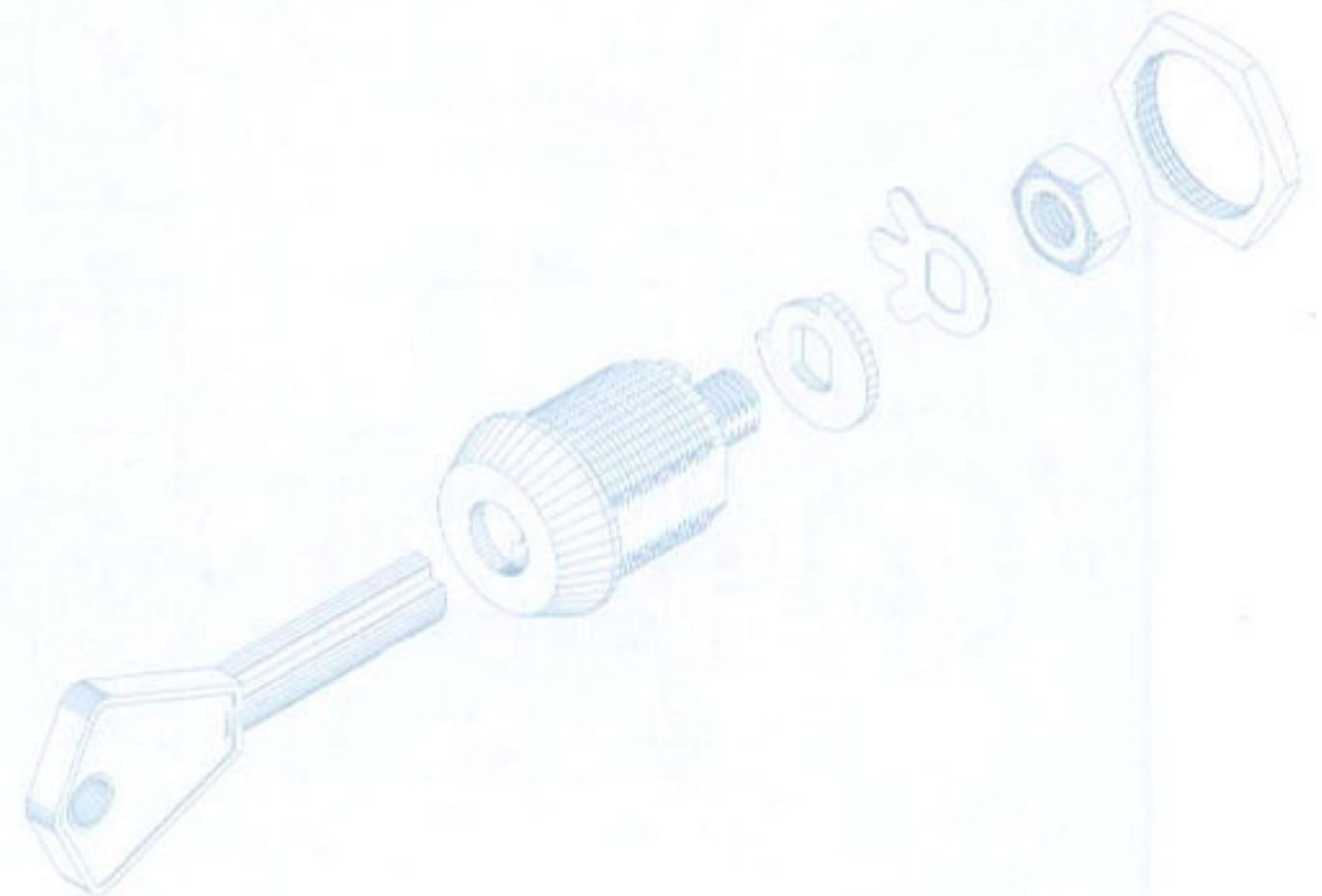
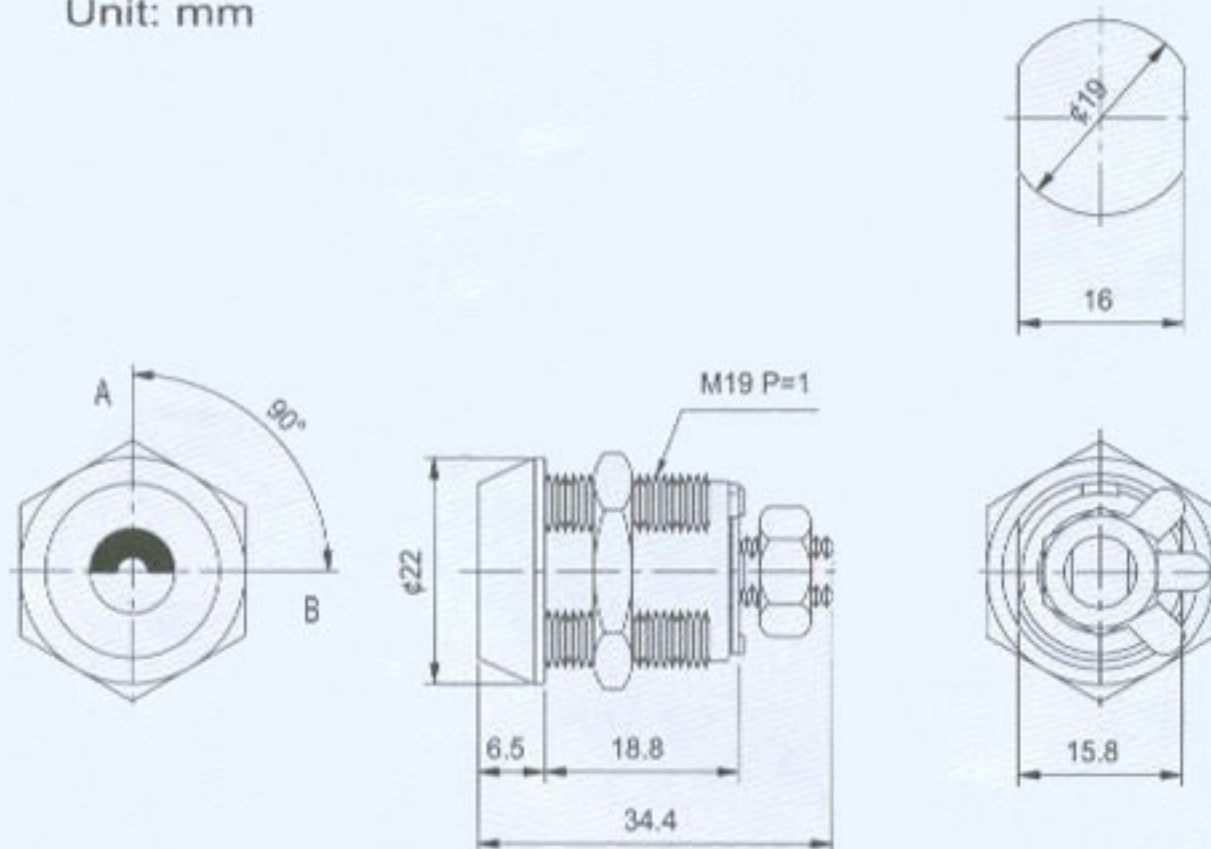


### DESCRIPTION

- . Zinc alloy die cast housing and brass cylinder.
- . Bright chrome plated standard.
- . Semi-round keys, nickel plated.
- . Key withdrawals in one position only.
- . Key combination upon requested.
- . 10000 combinations available.

Unit: mm

Recommended hole size



■ -INDICATES KEY-PULL

● -INDICATES NO KEY-PULL

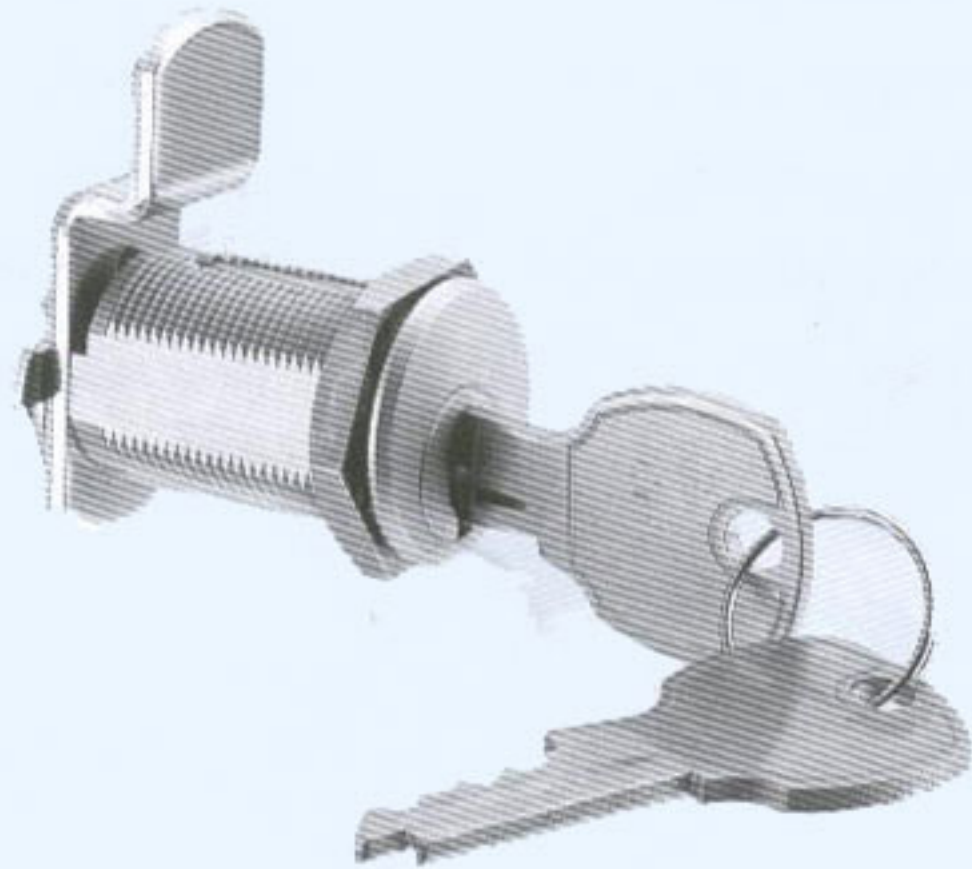


Fig.1

Fig No	Lock Number	Positions	Key Pulls	Turn
1	C940-1	2	1	90°



## C950

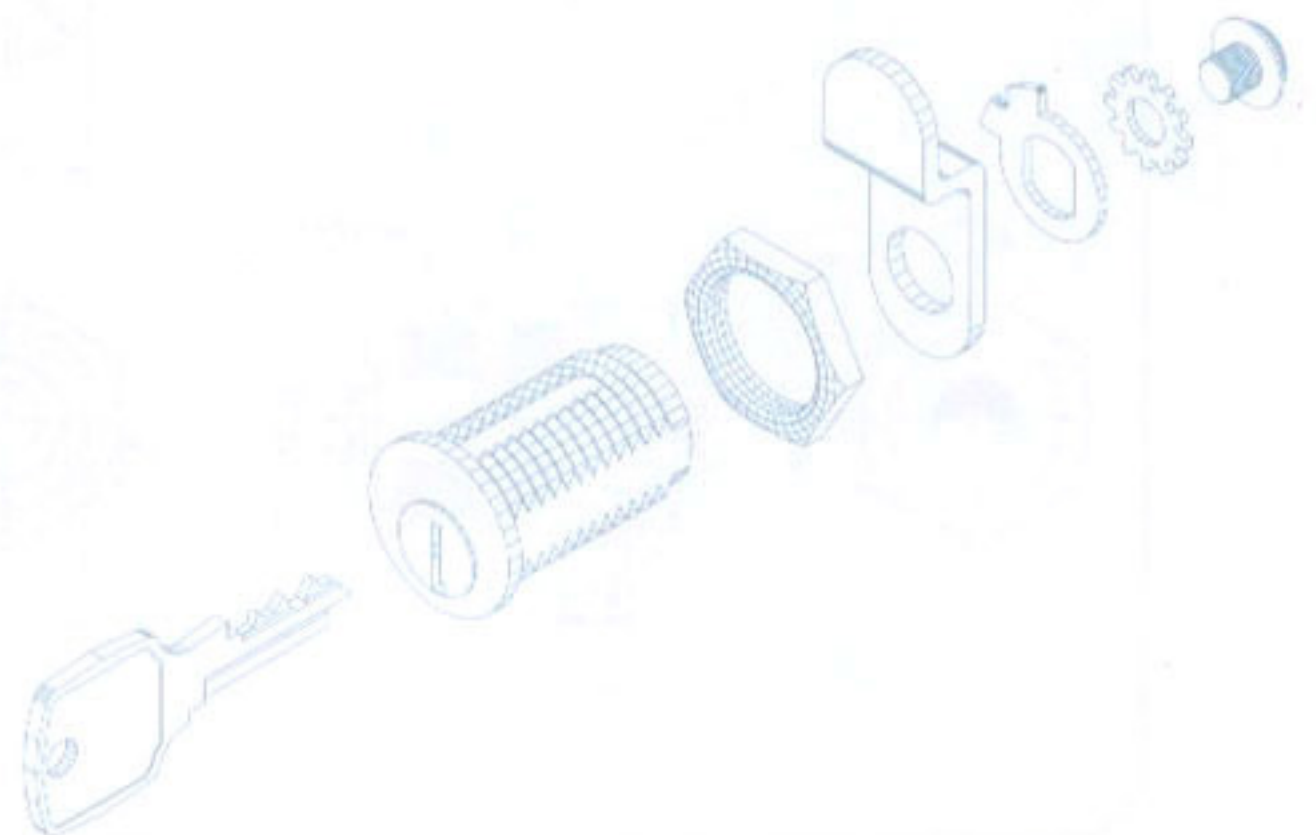
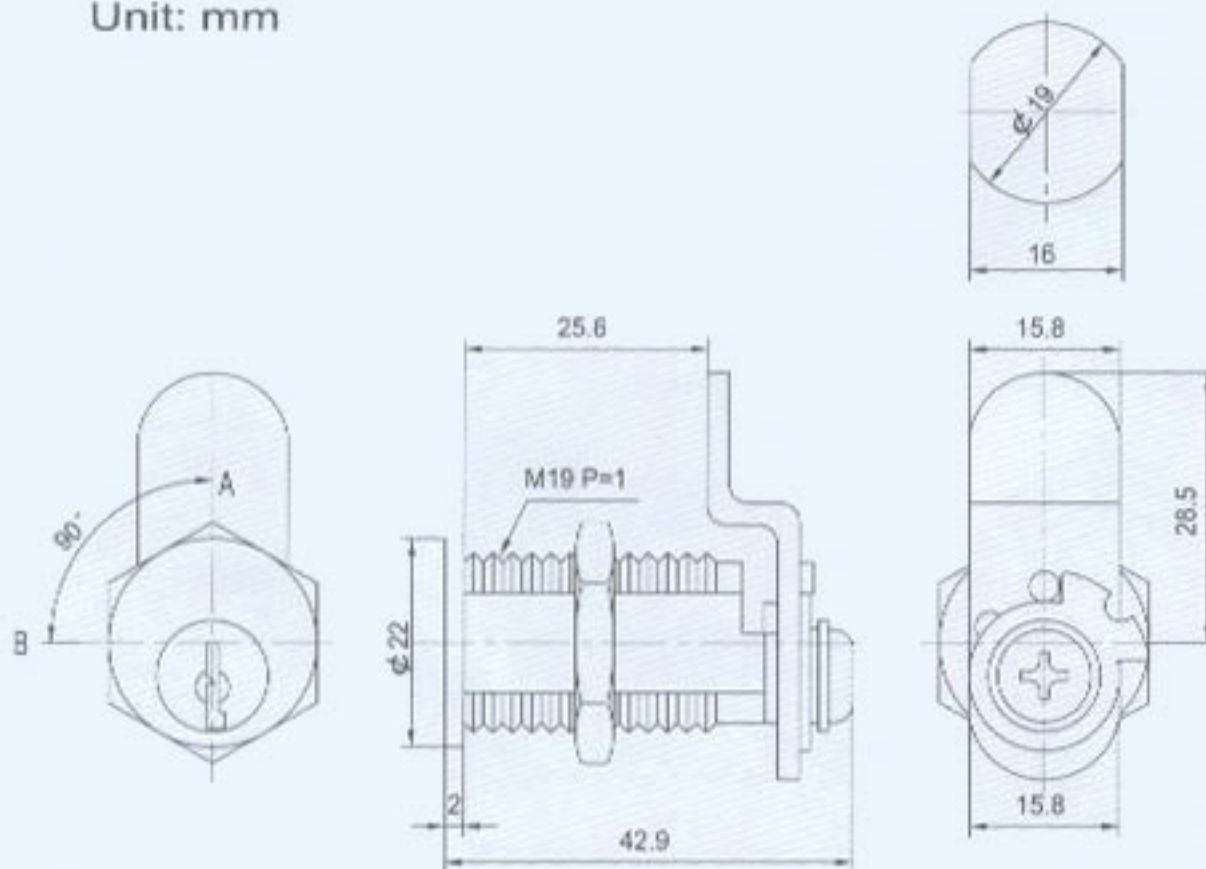


### DESCRIPTION

- . Brass housing and cylinder.
- . Bright nickel plated standard.
- . 5 pin tumbler mechanism.
- . Brass keys, nickel plated.
- . Key withdrawals in one position only.
- . Various cam configurations and rotations available.
- . Hex nut or speed clip mounted.
- . Key combination upon requested.
- . 10000 combinations available.

Unit: mm

Recommended hole size



■ -INDICATES KEY-PULL

● -INDICATES NO KEY-PULL



Fig.1

Fig No	Lock Number	Positions	Key Pulls	Turn
1	C950	2	1	360°